

Temperature & Humidity Transmitter IND-TH Series

Feature

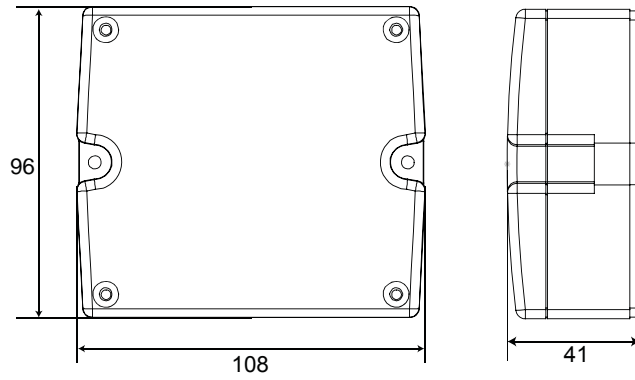
- ✓ Optional Voltage or current analogue outputs
- ✓ Modbus RTU interface (option)
- ✓ High accuracy and long term stability
- ✓ Temperature compensatio
- ✓ Quality Certifications : CE certification
- ✓ Optional monitor software
- ✓ Most popular applications for Heating, Ventilation, Air Conditioning and Storage rooms



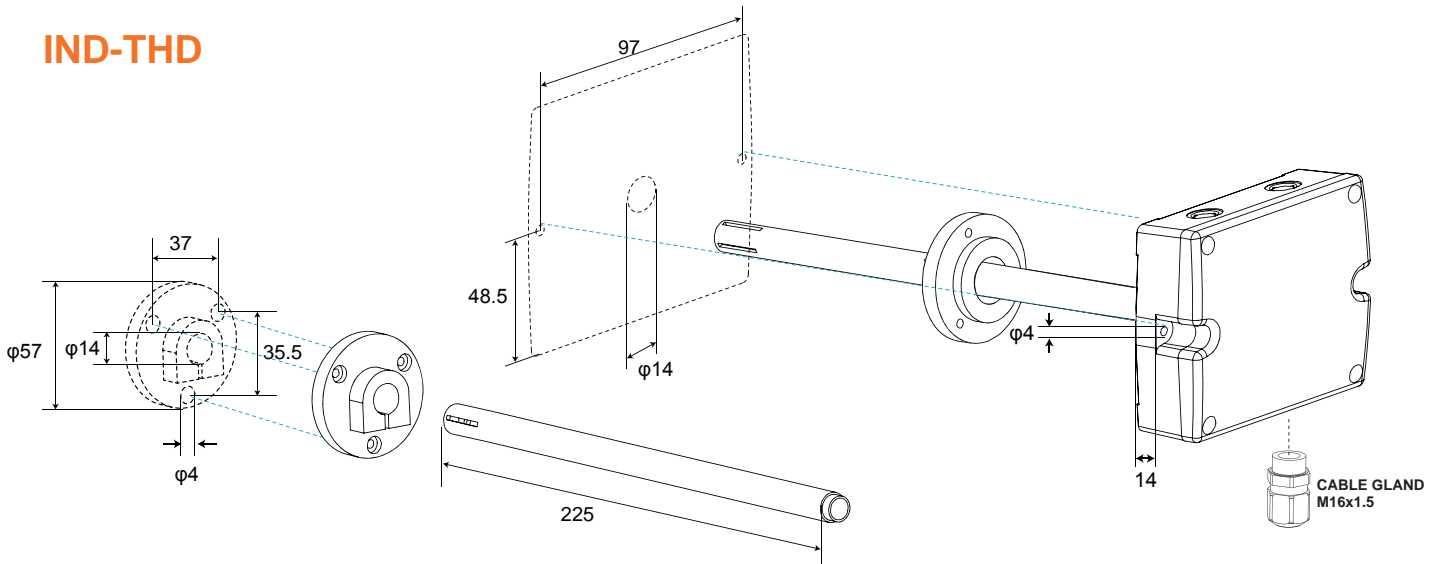
Technical Data

General		
PowerSupply		DC 12 ~24V
Cable Gland		M12 (7~4mm)
Housing		ABS
Protection		IP66 (incl. probe)
Cable length		2m (IND-THR)
Dimensions		108 (L) × 96(W) × 41(H)mm
Output		
Analog	Current	4~20mA (3-wire)
	Voltage	0~10V (3-wire)
Digital	Protocol	Modbus RTU RS485
	Baud rate	9600 bps
	Parity	None
	Data	8 bits
	Stop	1 stop bit
Temperature		
Sesing Method		CMOS
Range		-20~60°C
Accuracy		±0.3°C(20~40°C) 、 ±1°C (<20°C or >40°C)
Working Range		-30~70°C
Repeatability		±0.1°C
Response Time		5 sec.
Long term stability		<0.05°C / year
Humidity		
Sesing Method		CMOS
Range		0~100%RH
Accuracy		±3%RH(20~80%RH) 、 ±5%RH (<20%RH or >80%RH)
Working Range		0~100%RH (Non-condensing)
Repeatability		±0.2%RH
Response Time		7 sec.
Long term stability		<0.05RH / year

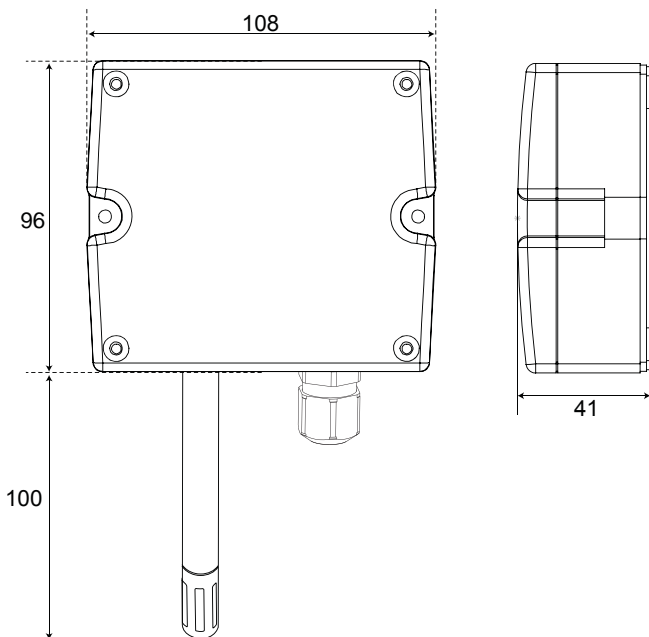
Dimensions



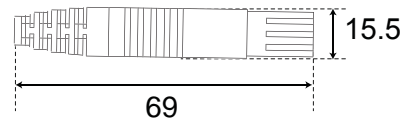
IND-THD



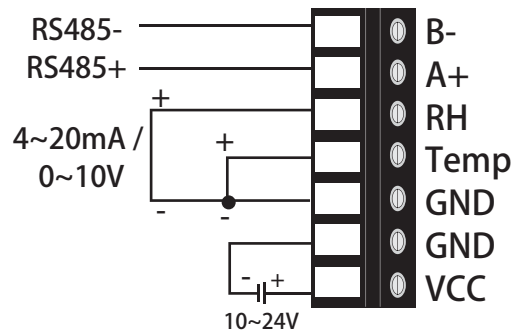
IND-THW



IND-THR Sensor



Wiring



Ordering Information

IND-TH - -

Mounting	
D	Duct
W	Wall
R	Remote Probe

Output	
V	0~10V
I	4~20mA (3-wire)

Communication	
	None
M	ModBus RTU

Optional :

T/H Monitor software	
	HTMSYS

